

WPC-95 SCHEMATIC MANUAL

**WILLIAMS ELECTRONICS GAMES, INC.
3401 NORTH CALIFORNIA AVENUE
CHICAGO, ILLINOIS 60618**

TABLE OF CONTENTS

(Manual revised 7/1/97.)

Power Wiring Diagram..... 1

CPU Board Schematic.....3

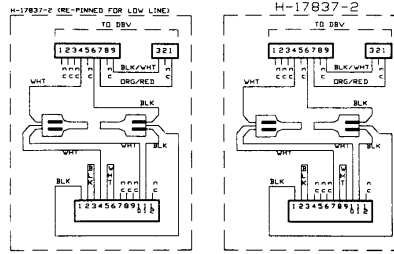
Power Driver Board Schematic.....4

Audio Visual Board Schematic.....6

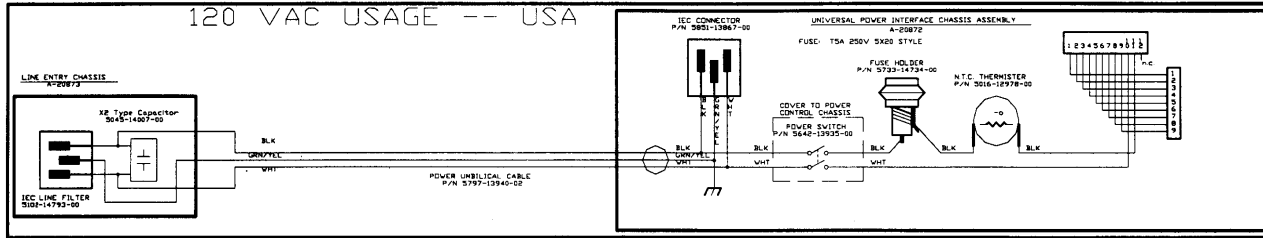
Babcock Dot Matrix Display Schematic.....10

Cherry Dot Matrix Display Schematic..... 11

UNIVERSAL POWER INTERFACE ASSEMBLY
A-20871

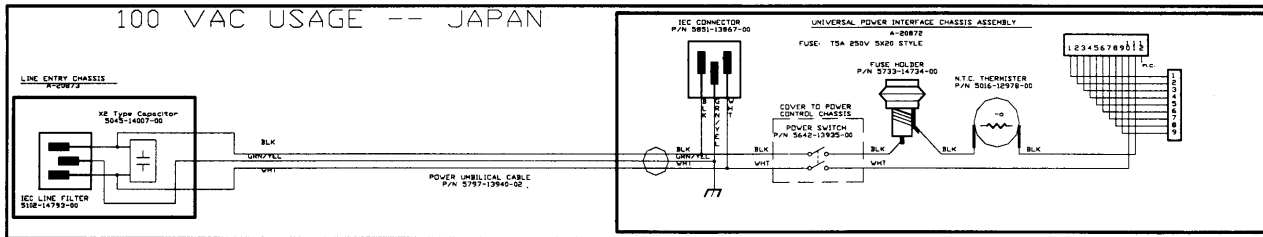


120 VAC USAGE -- USA



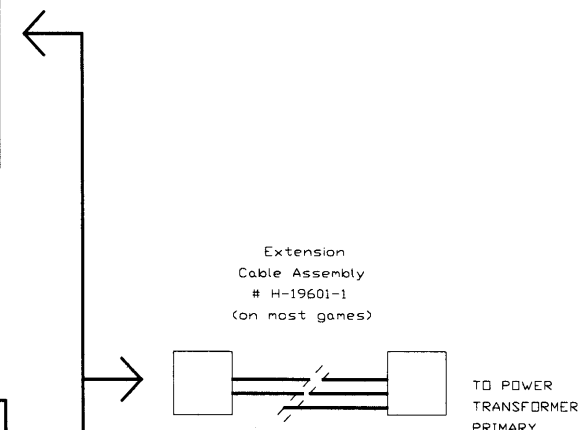
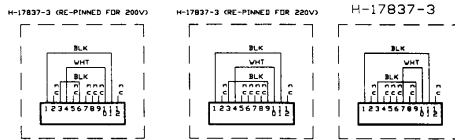
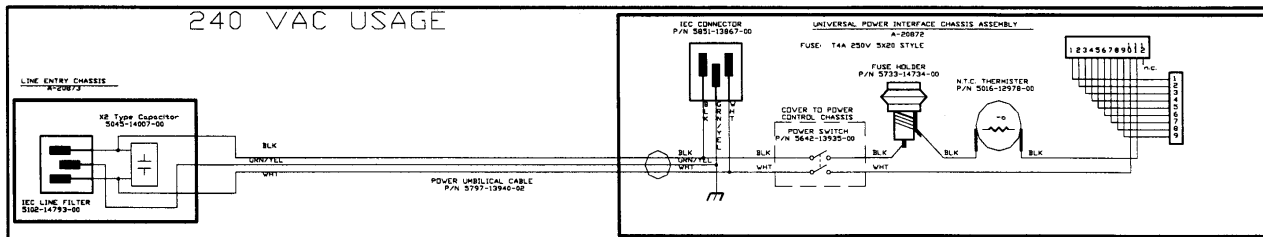
UNIVERSAL POWER INTERFACE ASSEMBLY
A-20871

100 VAC USAGE -- JAPAN



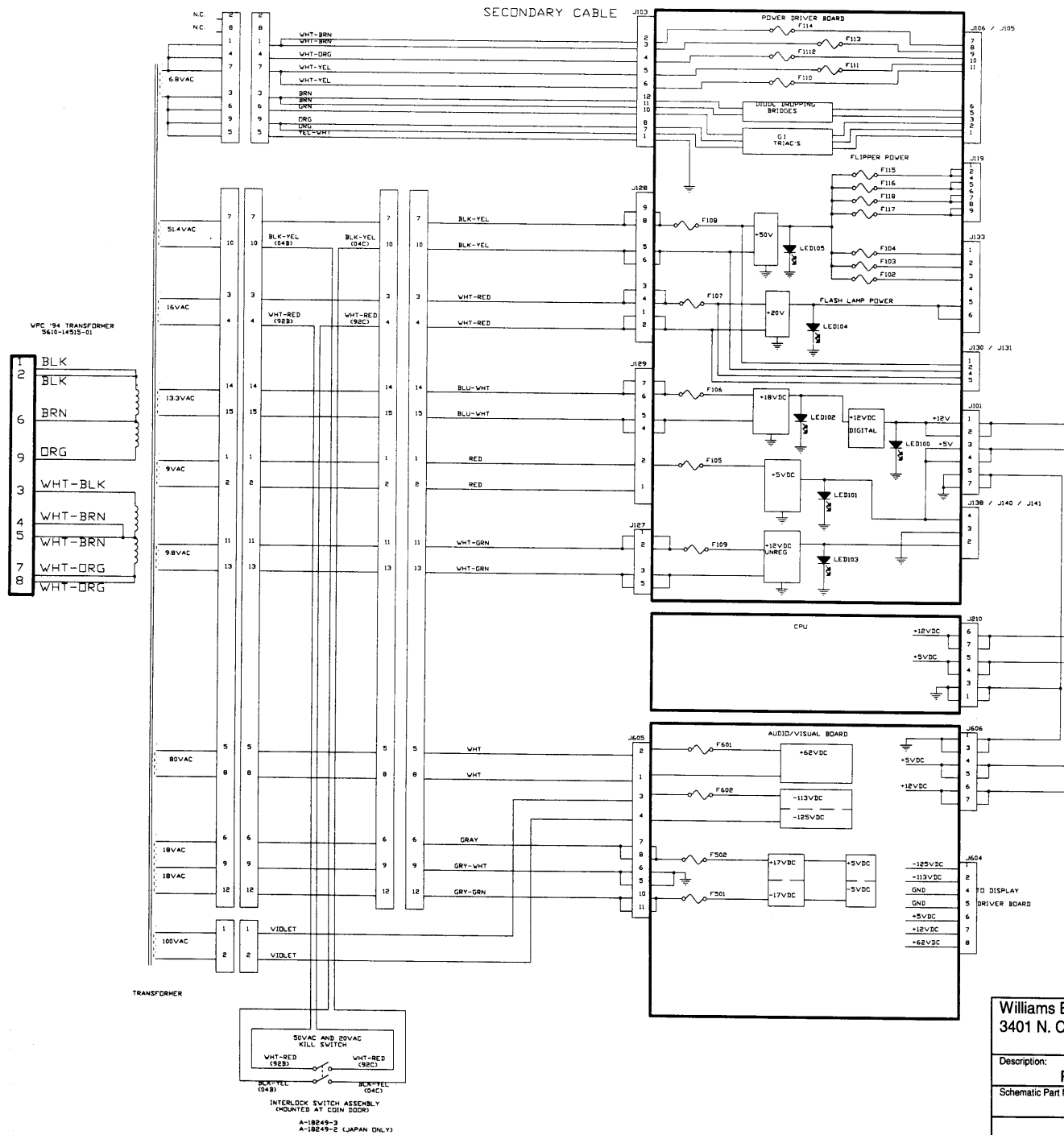
UNIVERSAL POWER INTERFACE ASSEMBLY
A-20871

240 VAC USAGE



Note: See Game Manual for Fuse Value.

Williams Electronics Games, Inc. 3401 N. California Avenue, Chicago, Illinois 60618	
Description:	Power Wiring Diagram
Schematic Part Number:	None
	Revision Level 7



Note: See Game Manual for Fuse Value.

Williams Electronics Games, Inc. 3401 N. California Avenue, Chicago, Illinois 60618	
Description:	Power Wiring Diagram
Schematic Part Number:	None
	Revision Level 7

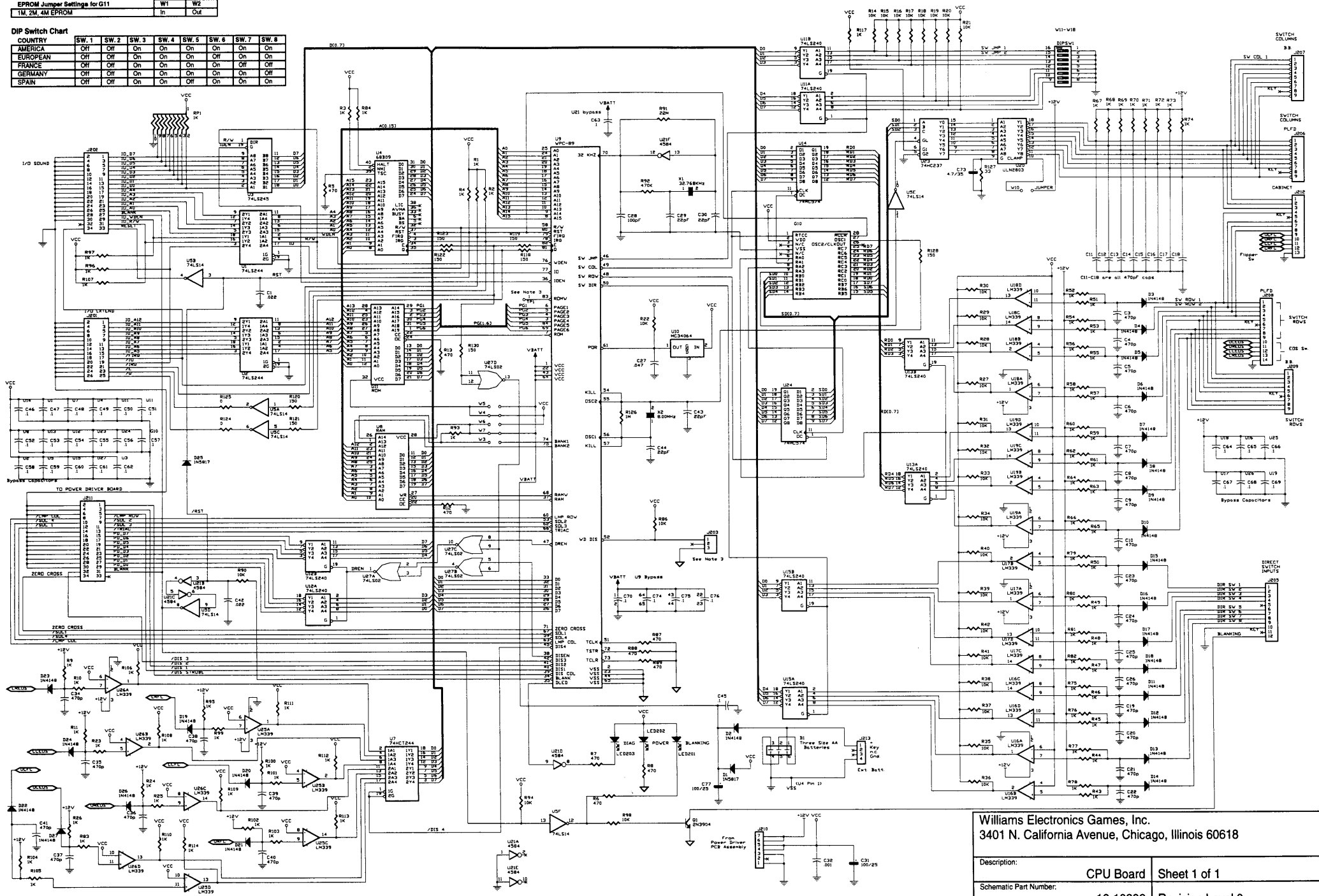
DIP SWITCH SETTINGS AND JUMPERS

EPROM Jumper Settings for G11
1M, 2M, 4M EPROM

	W1	W2
In		Out

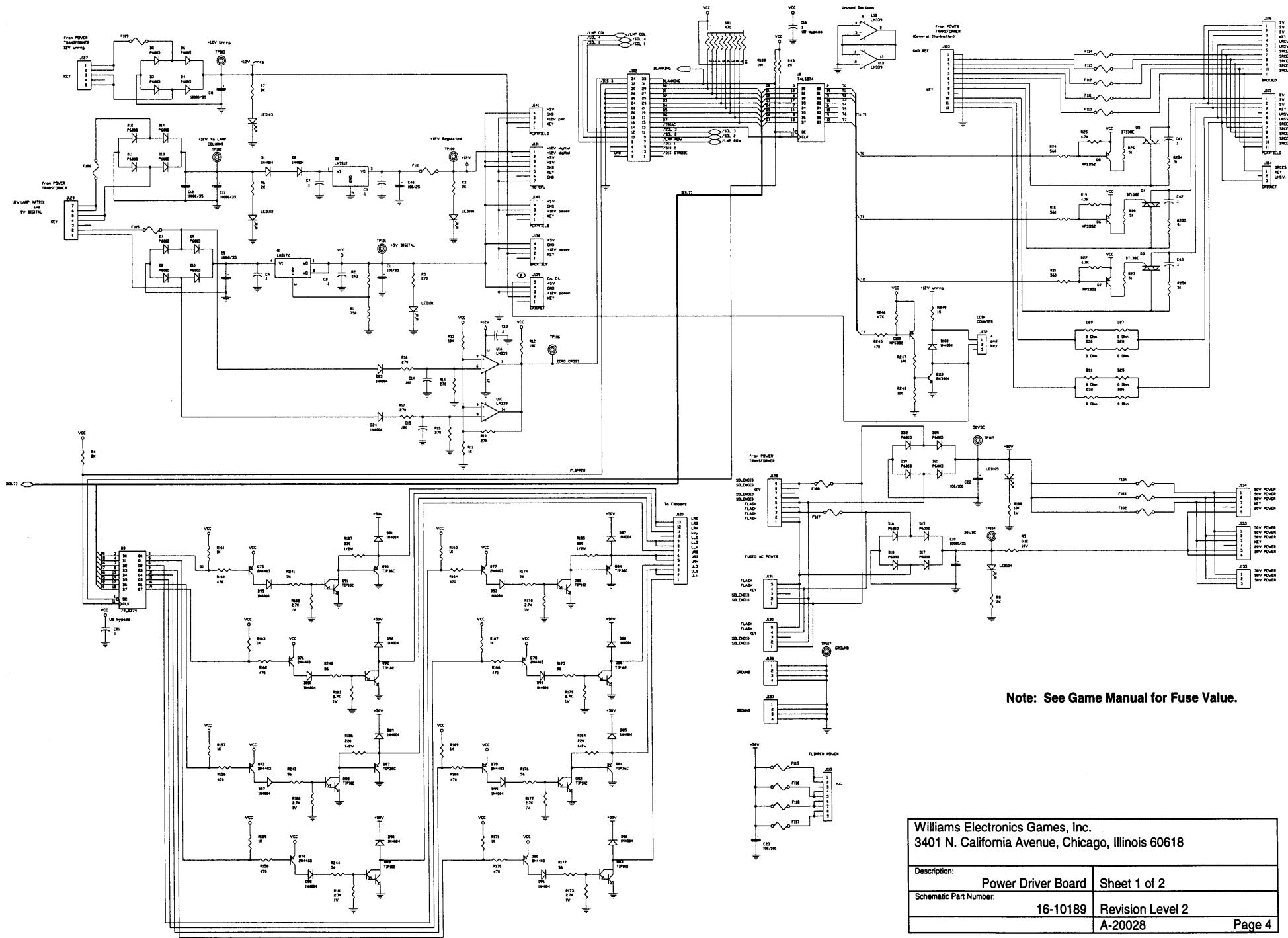
DIP Switch Chart

COUNTRY	SW. 1	SW. 2	SW. 3	SW. 4	SW. 5	SW. 6	SW. 7	SW. 8
AMERICA	Off	Off	On	On	On	On	On	On
EUROPEAN	Off	Off	On	On	On	Off	On	On
FRANCE	Off	Off	On	On	On	Off	Off	Off
GERMANY	Off	Off	On	On	On	On	On	Off
SPAIN	Off	Off	On	On	Off	On	On	On



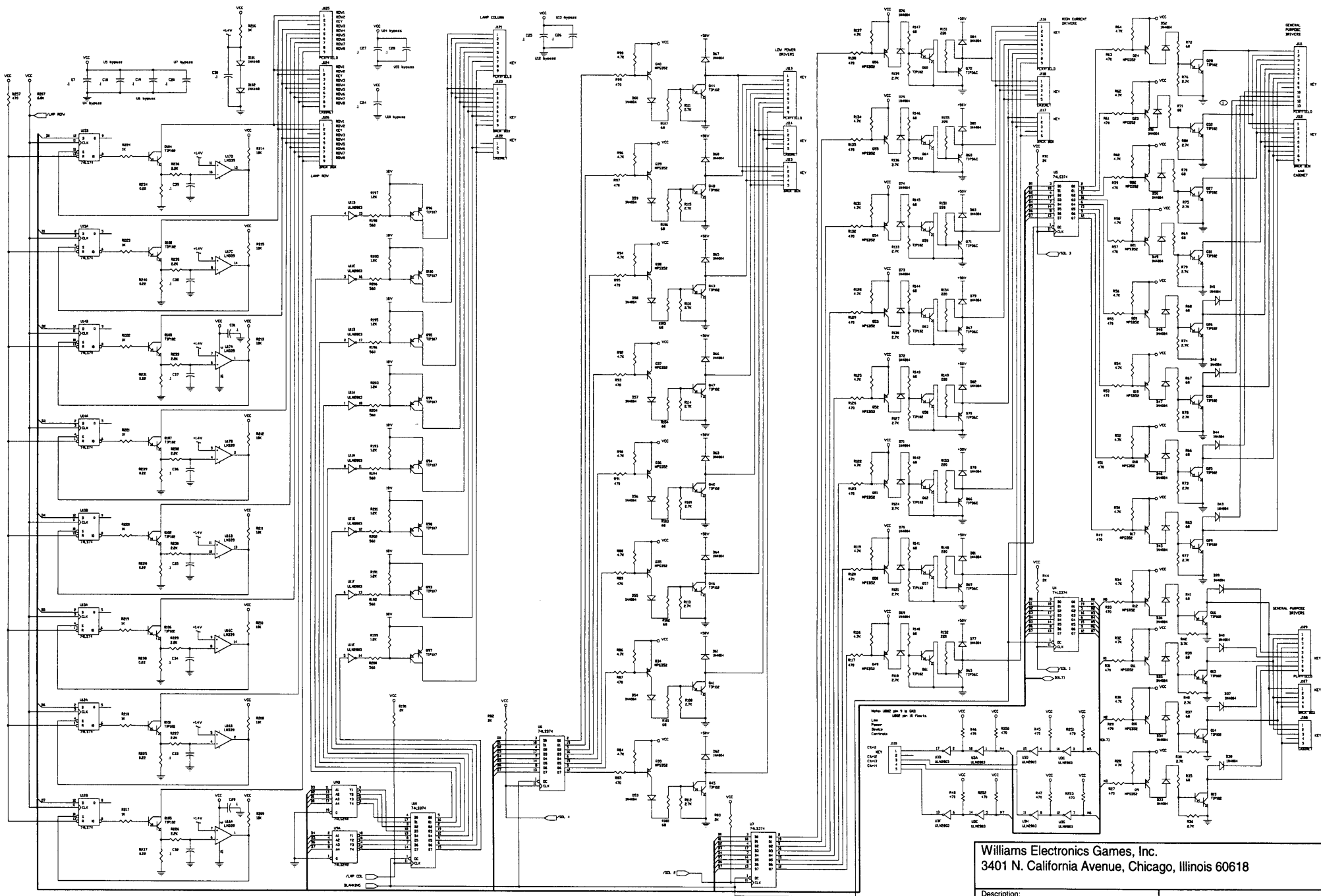
Williams Electronics Games, Inc.
3401 N. California Avenue, Chicago, Illinois 60618

Description:	CPU Board	Sheet 1 of 1
Schematic Part Number:	16-10296	Revision Level 0
	A-21377-XXXXX	Page 3

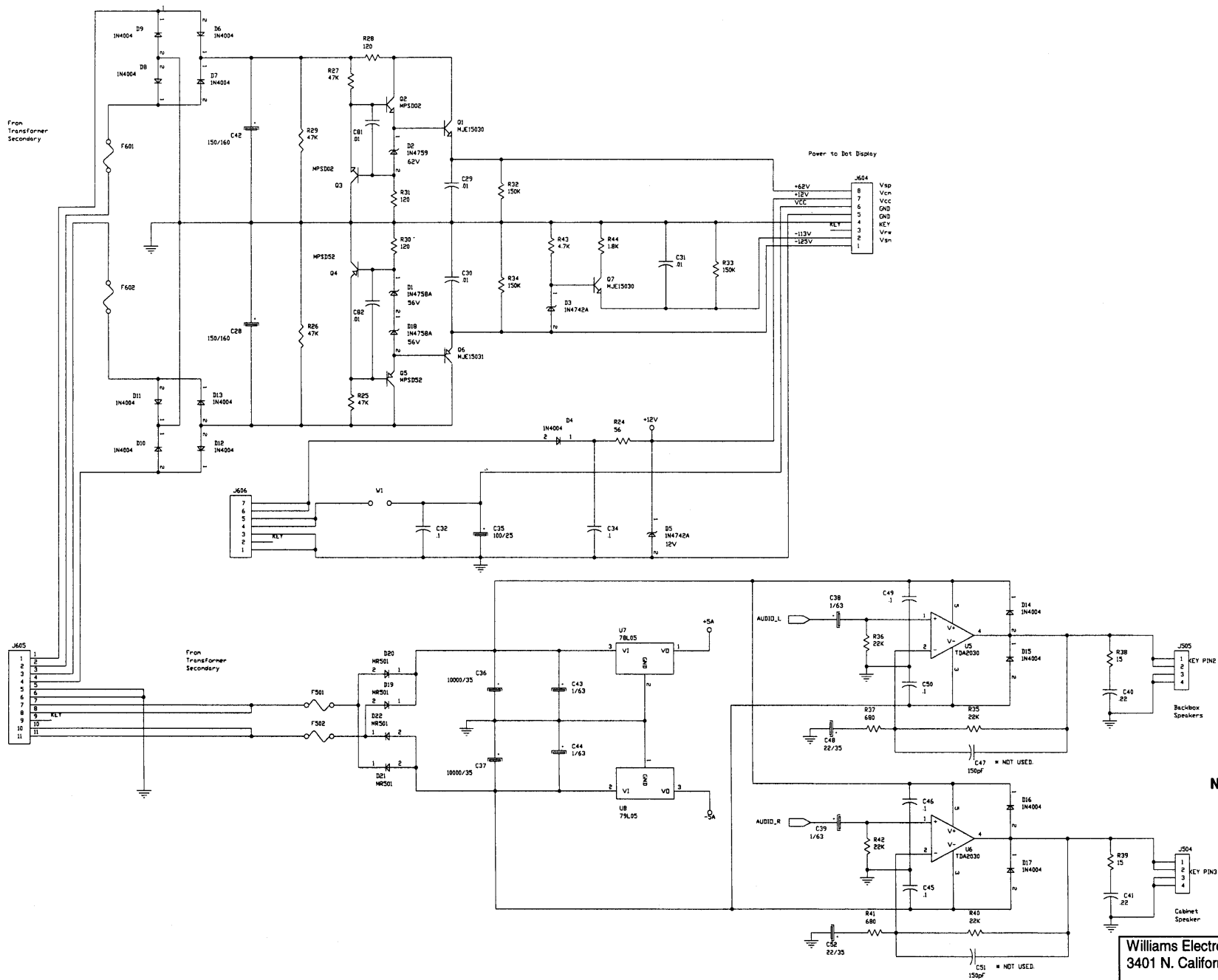


Note: See Game Manual for Fuse Value.

Williams Electronics Games, Inc. 3401 N. California Avenue, Chicago, Illinois 60618	
Description:	Power Driver Board Sheet 1 of 2
Schematic Part Number:	16-10189 Revision Level 2
	A-20028 Page 4

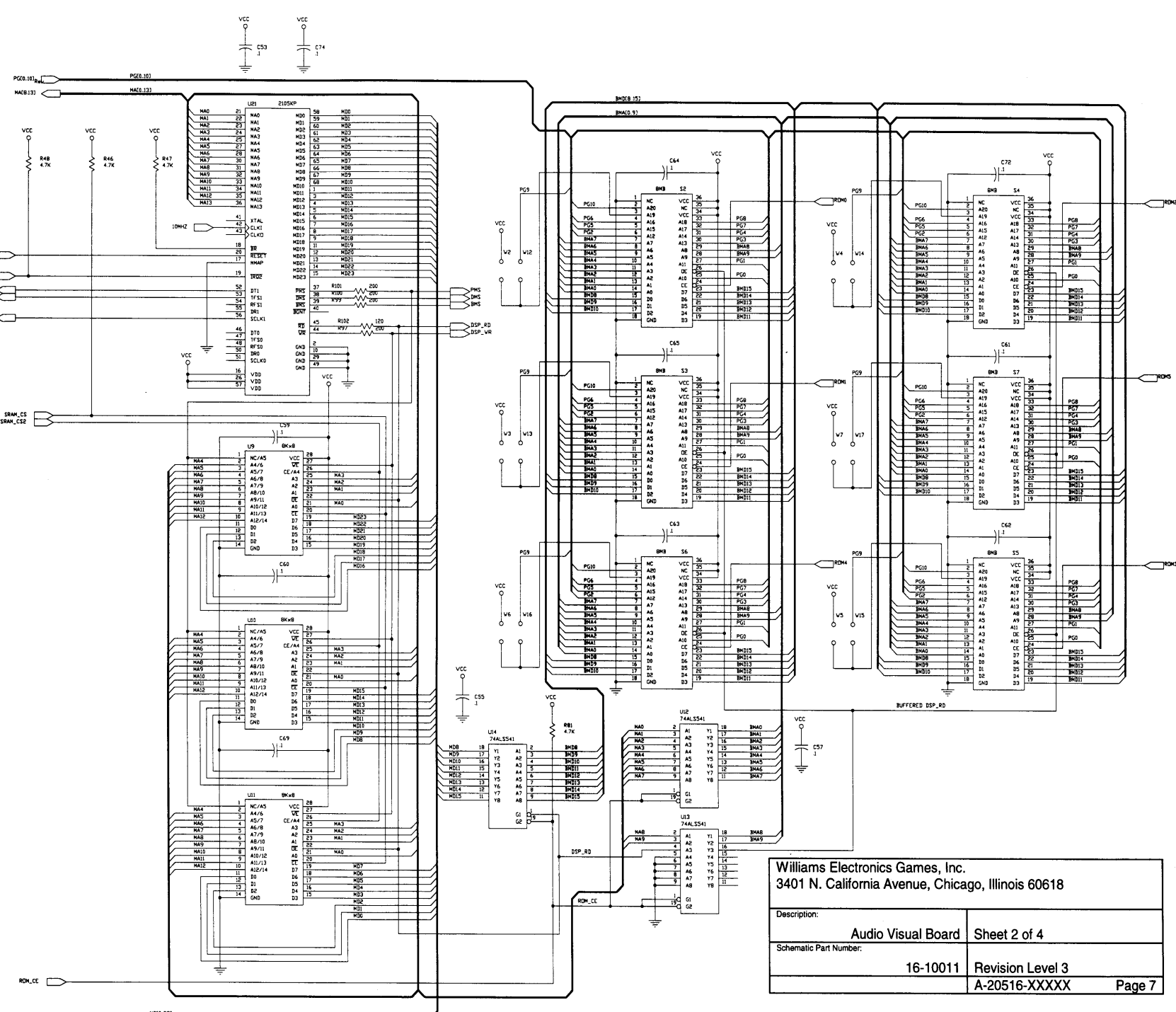


Williams Electronics Games, Inc. 3401 N. California Avenue, Chicago, Illinois 60618	
Description:	Power Driver Board
Schematic Part Number:	16-10189
	Revision Level 2
	A-20028
	Page 5



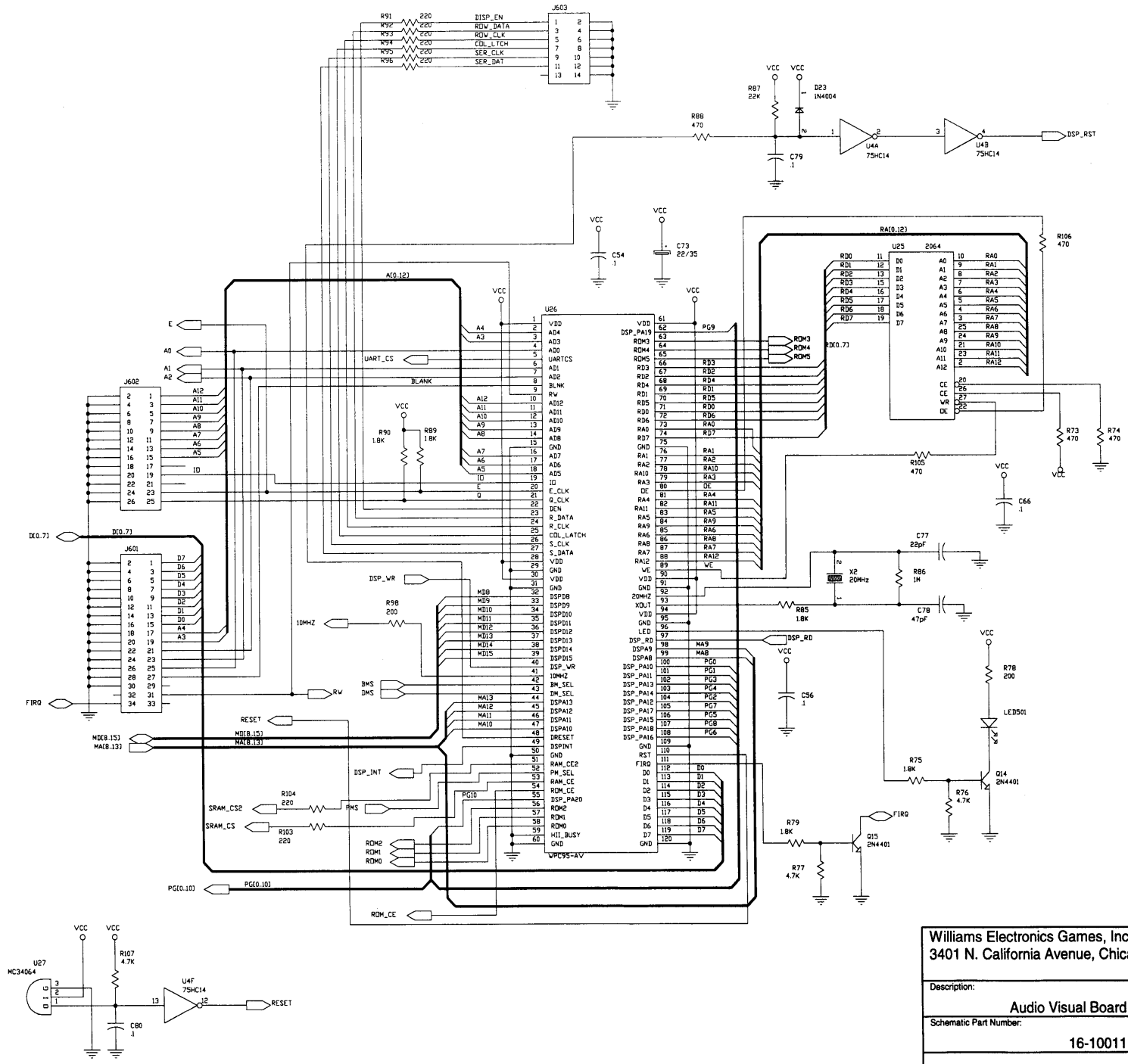
Note: See Game Manual for Fuse Value.

Williams Electronics Games, Inc. 3401 N. California Avenue, Chicago, Illinois 60618	
Description:	Audio Visual Board
Schematic Part Number:	16-10011
	Revision Level 3
	A-20516-XXXXX



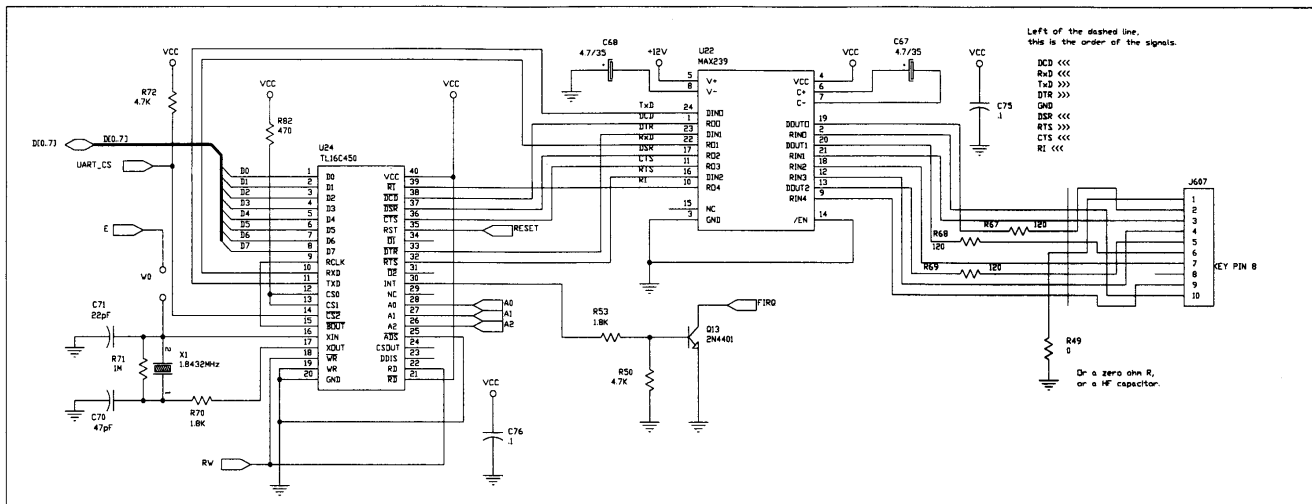
Williams Electronics Games, Inc.
 3401 N. California Avenue, Chicago, Illinois 60618

Description:	Audio Visual Board	Sheet 2 of 4
Schematic Part Number:	16-10011	Revision Level 3
	A-20516-XXXXX	Page 7

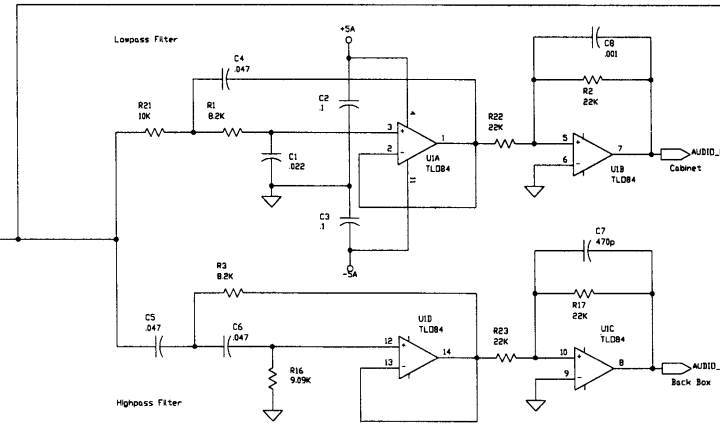
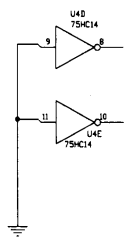
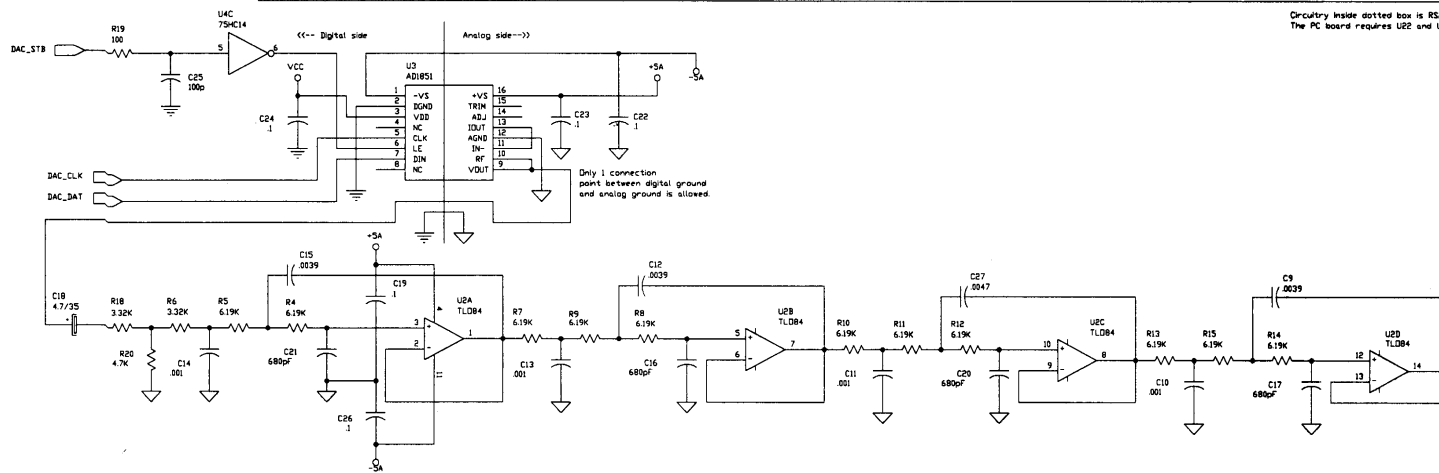


Williams Electronics Games, Inc.
 3401 N. California Avenue, Chicago, Illinois 60618

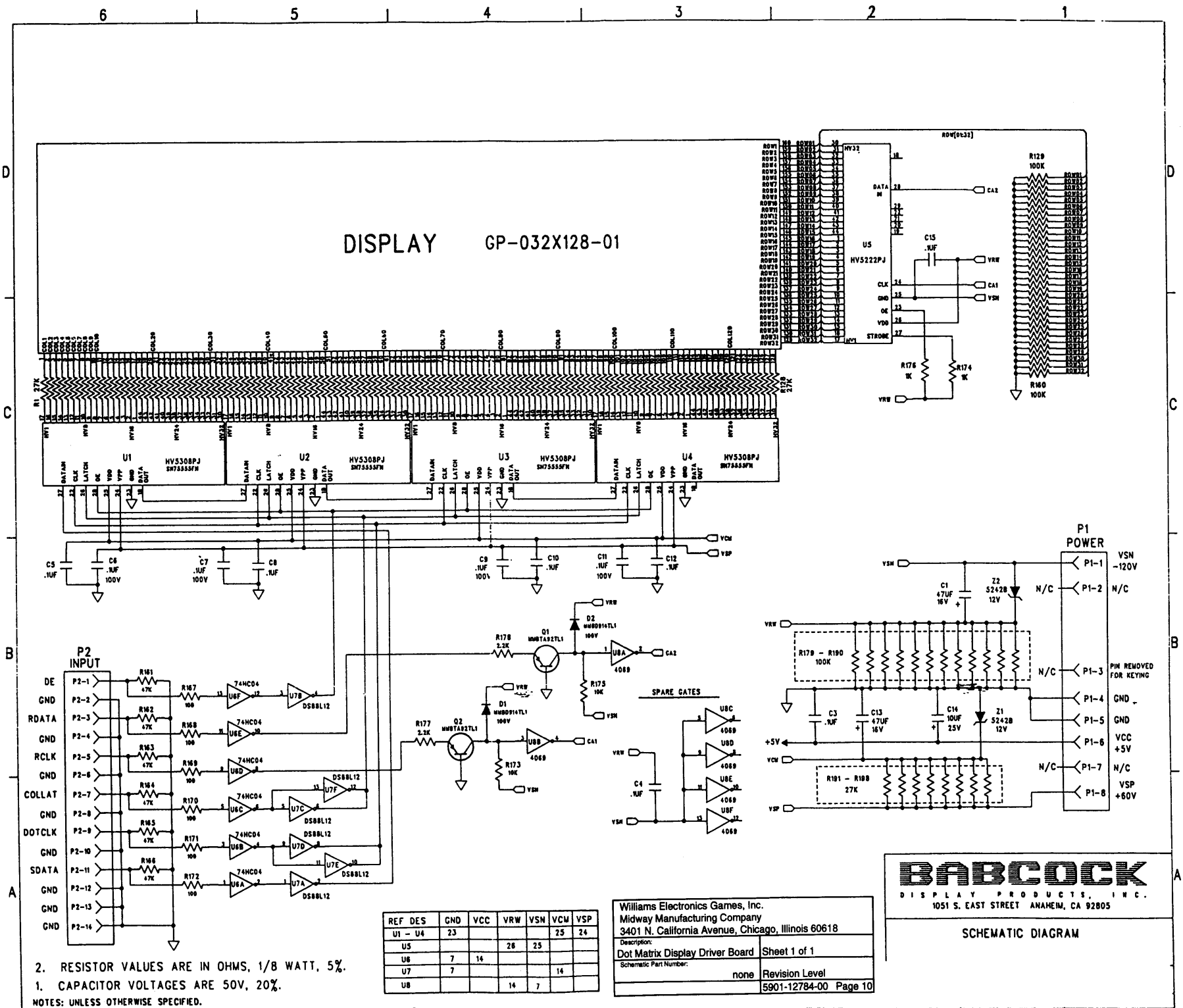
Description:	Audio Visual Board	Sheet 3 of 4
Schematic Part Number:	16-10011	Revision Level 3
	A-20516-XXXX	Page 8



Circuitry inside dotted box is R5232 option.
 The PC board requires U22 and U24 to be added for the serial port to work.



Williams Electronics Games, Inc. 3401 N. California Avenue, Chicago, Illinois 60618	
Description:	Audio Visual Board Sheet 4 of 4
Schematic Part Number:	16-10011 Revision Level 3
	A-20516-XXXXX Page 9



DISPLAY GP-032X128-01

2. RESISTOR VALUES ARE IN OHMS, 1/8 WATT, 5%.
 1. CAPACITOR VOLTAGES ARE 50V, 20%.
 NOTES: UNLESS OTHERWISE SPECIFIED.

REF	DES	GND	VCC	VRW	VSN	VCM	VSP
U1 - U4		23				25	24
U5				28	25		
U7		7	14			14	
UB				14	7		

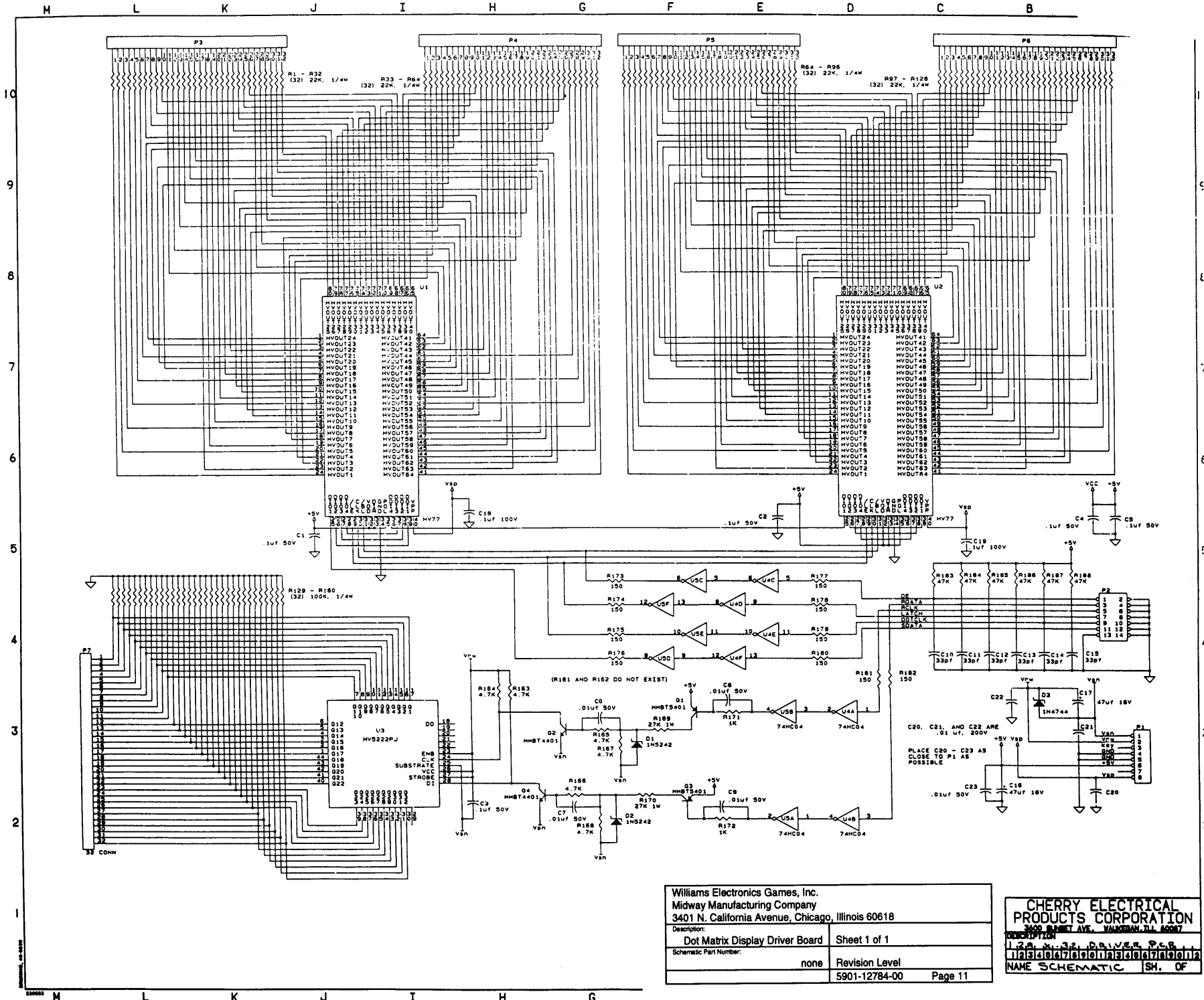
Williams Electronics Games, Inc.
 Midway Manufacturing Company
 3401 N. California Avenue, Chicago, Illinois 60618

Description: Dot Matrix Display Driver Board
 Schematic Part Number: none

Sheet 1 of 1
 Revision Level
 5901-12784-00 Page 10

BABCOCK
 DISPLAY PRODUCTS, INC.
 1051 S. EAST STREET ANAHEIM, CA 92805

SCHMATIC DIAGRAM



Williams Electronics Games, Inc.
 Midway Manufacturing Company
 3401 N. California Avenue, Chicago, Illinois 60618

Description: Dot Matrix Display Driver Board
 Schematic Part Number: none

Sheet 1 of 1
 Revision Level
 5901-12784-00 Page 11

CHERRY ELECTRICAL
 PRODUCTS CORPORATION
 3500 N. WILSON AVE., WILSON, ILL. 60097

128 X 8 D.O.T. M.A.T.R.I.X. D.R.V.R. B.O.A.R.D.
 NAME SCHEMATIC SH. OF

